

DIMENSIONS OF CellCarrier-384 Ultra

PN 6057300 / 6057302 / 6057308 --- TC-treated
PN 6057700 / 6057708 --- Collagen-coated
PN 6057500 / 6057508 --- PDL-coated
PN 6057800 --- Ultra Low Attachment (ULA)-coated

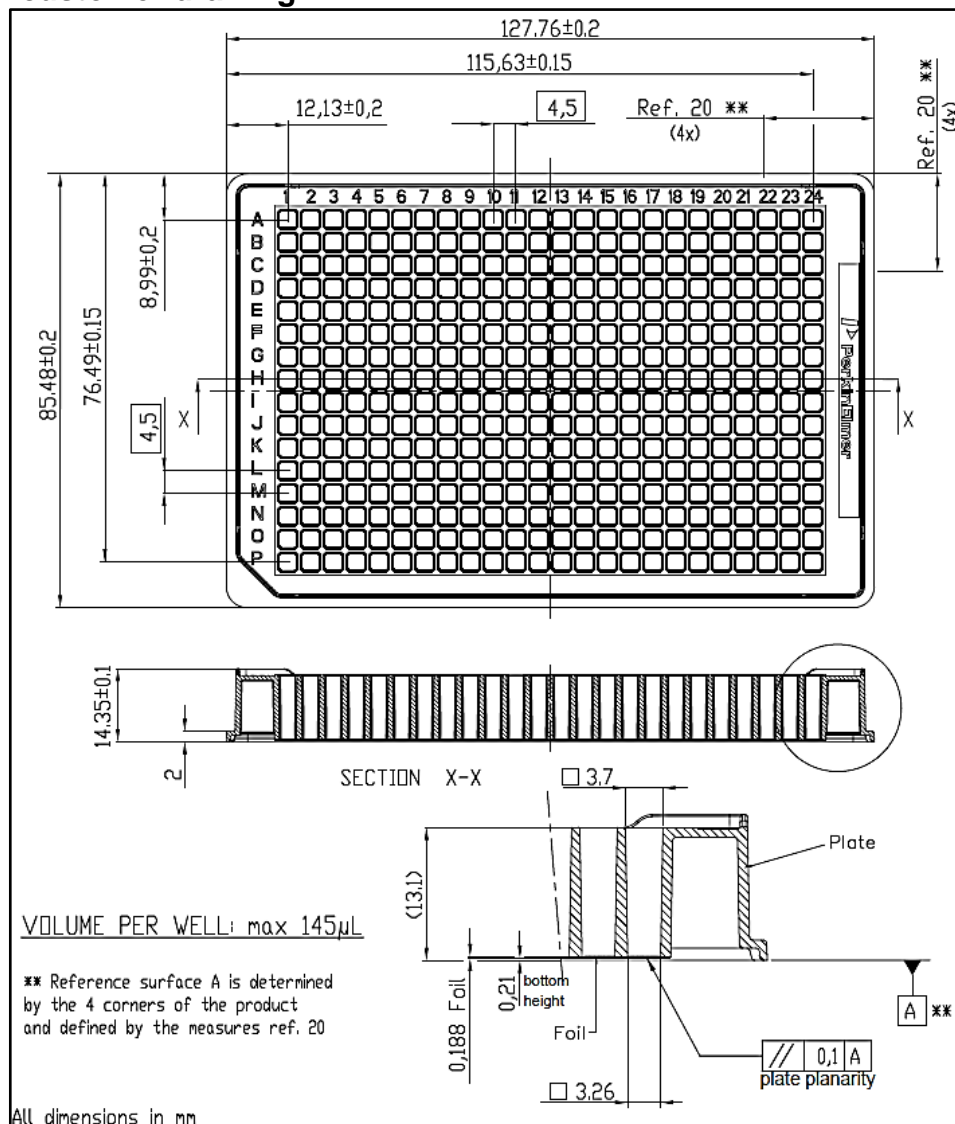
Material and treatment

Low bottom height ($200 \pm 10 \mu\text{m}$), black cyclic olefin microplate with optically clear cyclic olefin foil bottom ($188 \mu\text{m}$). Refractive index of plate bottom is 1.53. Plates are Tissue-Culture treated, PDL- or COL-coated to facilitate cell adherence and proliferation. The ULA-coated plates prevent all cell adherence and are intended for studying 3D spheroids or suspension cells.

Packaging

6057300 is a box with 50 individually pouched plates with lids. 6057302, 6057700 and 6057500 are boxes with 40 lidded plates, packed as 2 bags of 20 each. 6057308, 6057708 and 6057508 holds 160 lidded plates as 8 bags of 20. 6057800 holds 10 single-pouched, lidded plates.

Dimensions --- customer drawing

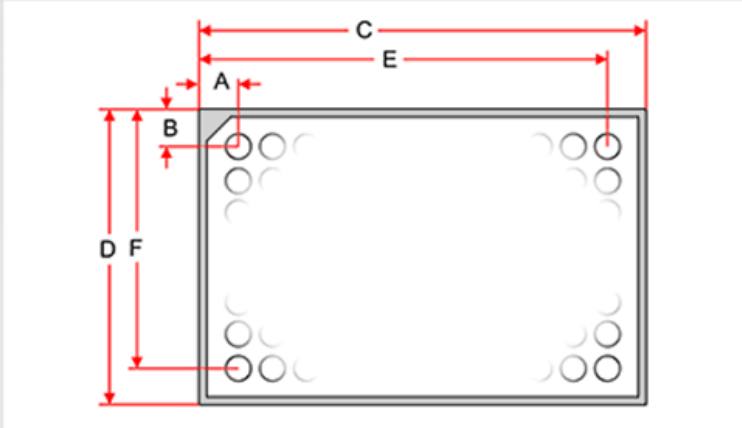


Dimensions --- for Harmony software Microplate Definition Wizard

Plate Type Definition Wizard

Step 4 / 7

Please enter the dimensions of the plate type.



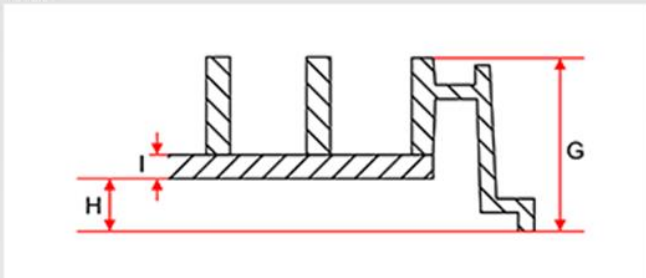
A: mm C: mm E: mm
B: mm D: mm F: mm

< Back Next >

Plate Type Definition Wizard

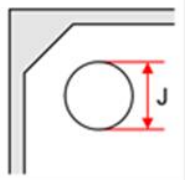
Step 5 / 7

Side:

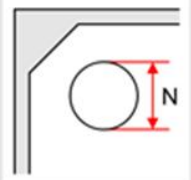


G: mm
H: mm
I: mm

Top: Bottom:



J: mm



N: mm

< Back Next >

Product manufactured and distributed by:
PerkinElmer Health Sciences B.V.
The Netherlands